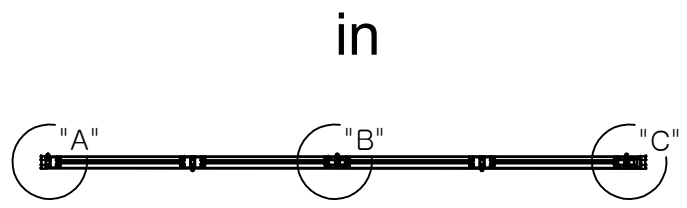
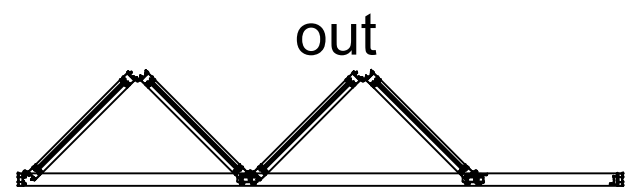
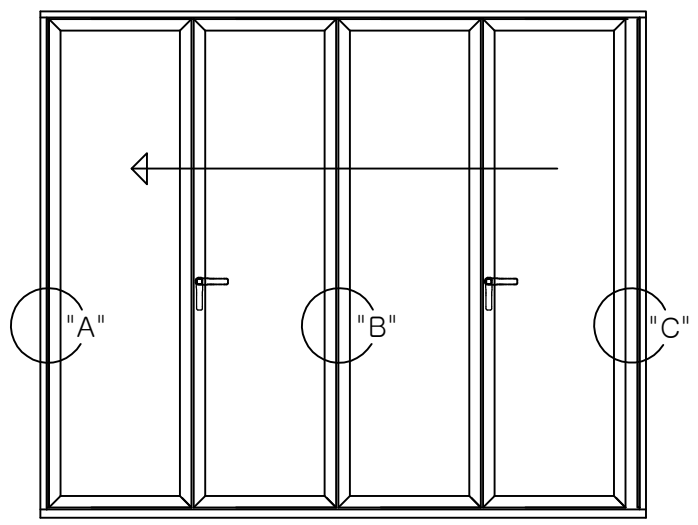
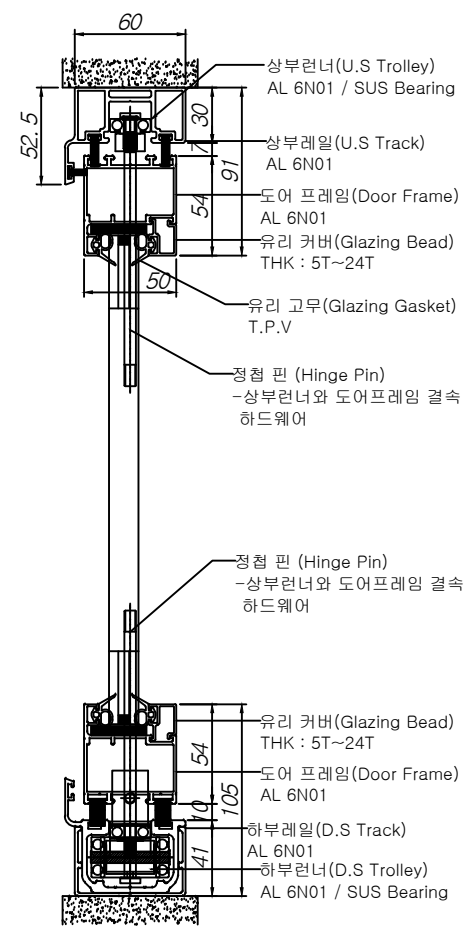


NOTE

① SCALE none 단면도



② SCALE none 단면도

③ SCALE none 입면도 평면도

PROJECT TITLE

DRAWING TITLE

D.W.G BY

CHECKED BY

DATE

SCALE

none

DRAWING NO.

SHEET NO.